



Arena Starfish Lift II

Supporting the Arena A330 Shipper's High Performance

The ARENA STARFISH LIFT II is a low cost ergonomic lift that enables the safe and easy positioning of top-discharge pumps, the Arena patented bag wringer and mixers. When used with the Arena A330 Shipper™ and Arena liners, the Arena Starfish Lift II supports efficient discharge of liquid and viscous products.



The STARFISH AIR-EVAC® SYSTEM is used with viscous products to assist in tote evacuation, reducing waste and operator intervention. The Starfish Lift II is an ergonomically safe way to raise and lower top-discharge progressive cavity or piston pumps in and out of the A330 Shipper™. It makes staging the shipper at the feed end of a filling operation virtually a single-person operation and can improve productivity and minimize work disruption.

Once the shipper is in position, the operator can roll the lift, with the pump already cleaned and staged off-line, right up to the shipper and lower the pump (or a mixer) into the product. The pump can be used in conjunction with a spanner bar (*as shown above*) or the pump can be directly attached to the bag using an Arena Liner Lock.

The lift is easily positioned under the Arena A330 Shipper. The telescoping aluminum frame design makes the unit extremely compact and versatile. The winch has a reversible handle for easy storage.

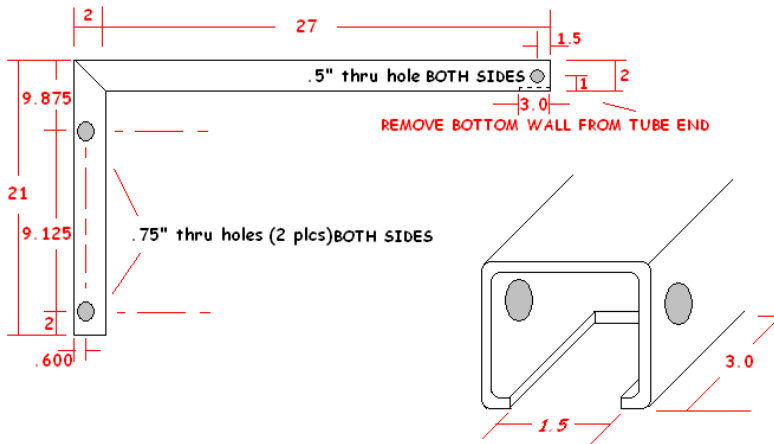
The Starfish Lift II is also designed for the mounting of the Arena bag wringer (shown to the right). It helps an operator position the wringer as well as lifts the wringer and empty bag from the tote once it is discharged.



For more information call us at (800) 836-2528, (585) 254-2180,
or visit our website at www.arenaproducts.com

ARENA STARFISH LIFT II OPTIONS

Lift Boom
Not To Scale



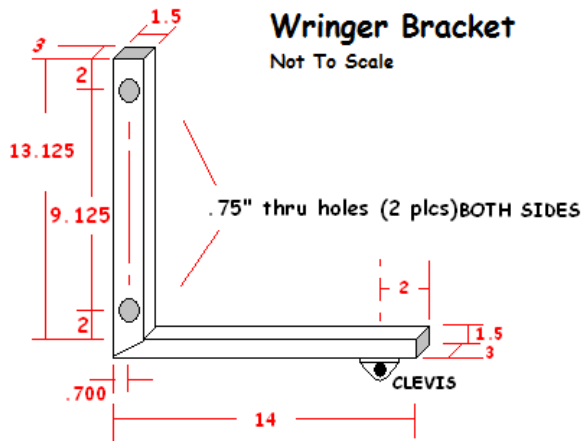
Lift Boom

The lift is capable of raising a pump or other payload to a height of 122 inches. The pump or payload can then be wheeled back clearing the Arena A330 Shipper.

The lift is capable of lifting weights up to 350 pounds.

The pump or other payload is easily attached by a quick connect/disconnect locking pin.

Wringer Bracket
Not To Scale



Wringer Bracket

The wringer bracket is designed to attach to the Arena patented bag wringer and allows for ease of placement on the A330 Shipper. The bracket can remain attached while the wringer is in use or disconnected allowing the lift to be used preparing another shipper.

Once the bag is completely discharged the lift can be used to lift the wringer and bag out of the shipper.

For additional information or to try a demo unit, contact your local A. R. Arena Representative, or contact Arena directly at the phone number or web site below.

For more information call us at (800) 836-2528, (585) 254-2180,
or visit our website at www.arenaproducts.com